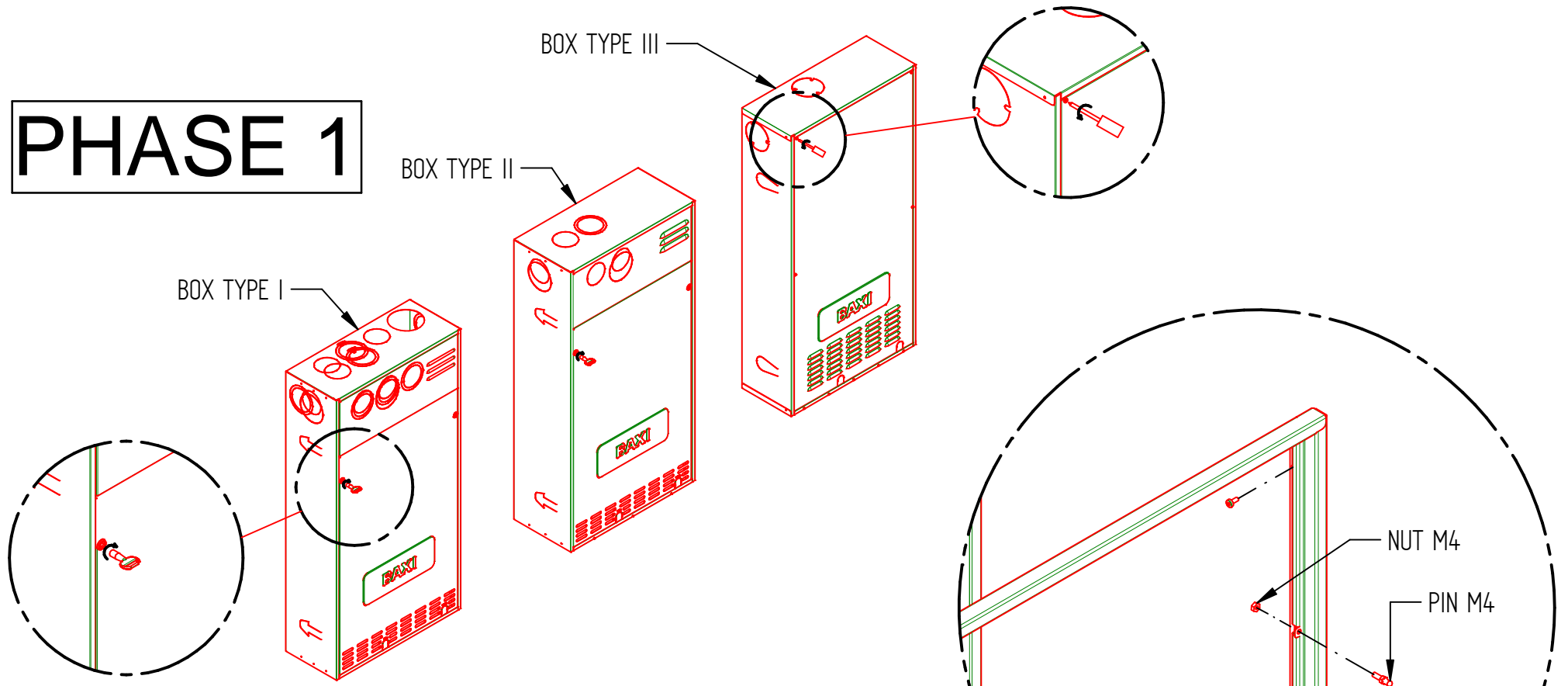
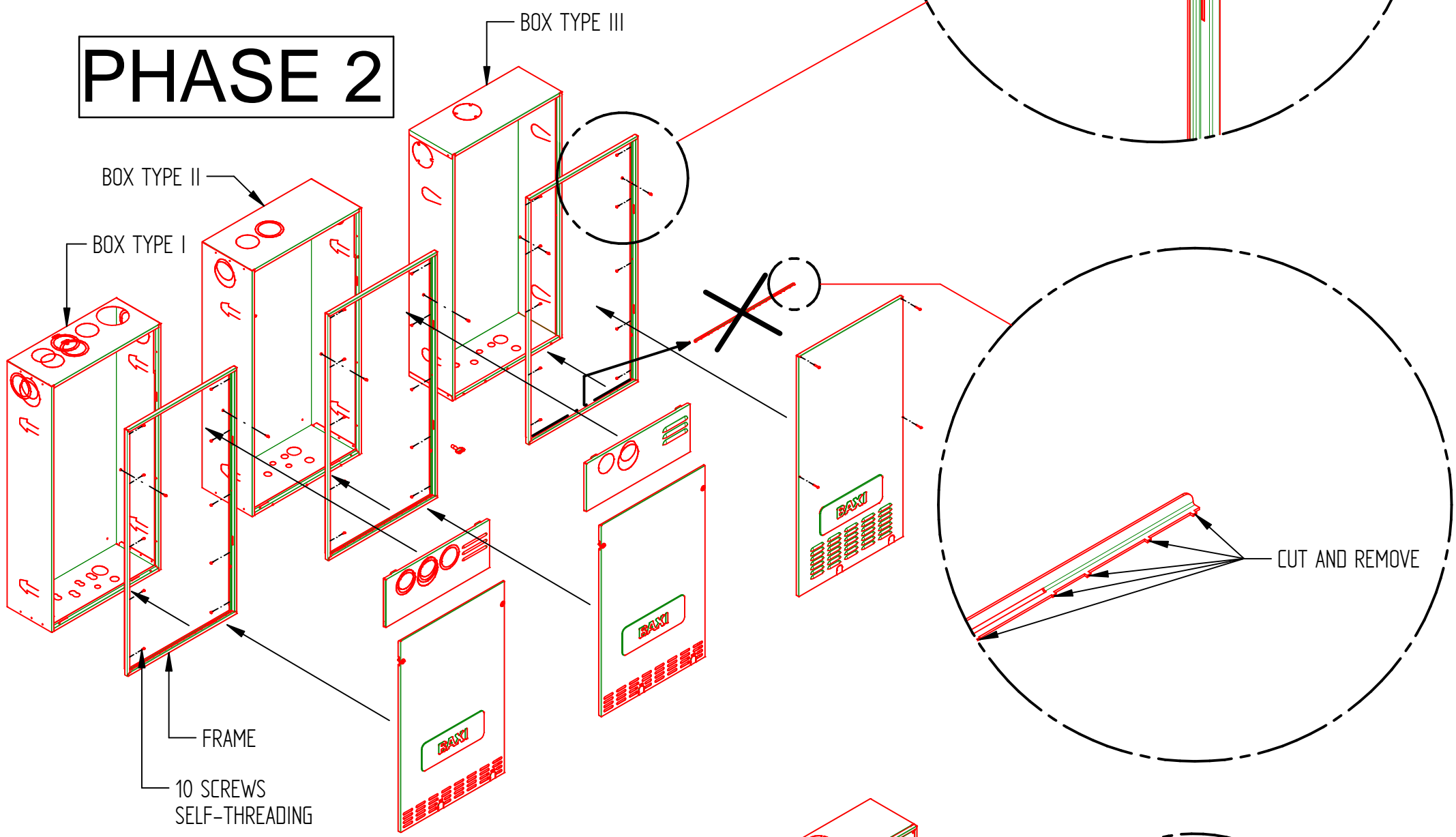


# INSTRUCTION PAPER MOUNTING KIT

## PHASE 1



## PHASE 2



## PHASE 3

